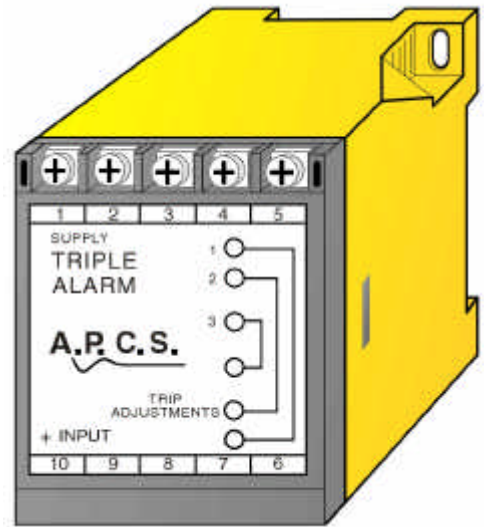



## TRIPLE ALARM (v2) TRA173

### DESCRIPTION

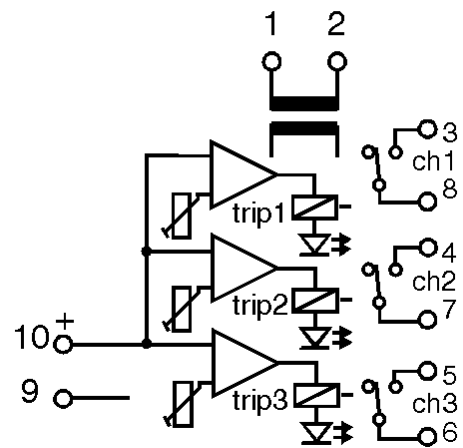
The TRA173 is a triple alarm relay, suitable for all standard process signals and features three independently adjustable trippoints with relay contact outputs. The unit accepts voltage from 1Vdc up to 2kV or current input signals from 1mA up to 5A. The trip circuits are operated directly from the pre-conditioned input circuit with trip status indicated by red L.E.D.'s. Dead band is fixed at 2% typically, however this can be factory changed to 5 or 10% by changing an internal resistor. Various power supply choices are available ranging from 240Vac down to 8Vdc, provide power isolation. Surge protection for power supply and input is provided.



### General Specifications

Size:	52 W x 70 H x 110 D (mm).
Housing material:	Polycarbonate.
Mounting:	DIN-Rail, gear plate.
Termination:	Screw terminals on front Terminal covers standard.
Weight:	0.300 kg.
Protection class:	IP40 (IP65 Enclosure opt.).
Operating temp. range:	0 - 60°C.
Storage temp. range:	-20...+70°C.
Repeatability:	0.1% of range.
Temperature drift of trip point:	0.01% / °C.
Relay contact:	N/O or N/C (factory configured) 10A/250Vac (1/2 HP @ 250V).
Contact isolation:	2kV.
Switching hysteresis (DB):	2% (can be factory configured).
Power requirement:	AC supply 4W, DC supply 3W.
Electromagnetic compatibility:	Complies with AS/NZS 4251.1 (EN 50081.1) 

### Block Diagram



For input / output combinations refer to TYPE NO. DESIGNATION overleaf.

**Power Supply:**

- 1 = 240V, 50/60Hz ±10%.
- 2 = 120V, 50/60Hz ±10%.
- 3 = 24V, 50/60Hz ±10%.

- \*) 4 = 8 to 60Vdc Isolated.
- \*) 8 = 60 to 240Vdc Isolated.
- \*) 9 = Other (Specify).

**Input:**

- 01 = 0 - 1V (50kΩ)
- 02 = 0 - 2V (100k Ω).
- 03 = 0 - 5V (200k Ω).
- 04 = 0 - 10V (500k Ω).

- 06 = 0 - 1mA (2k Ω).
- 07 = 0 - 10mA (200 Ω).
- 08 = 0 - 20mA, 4 - 20mA (100 Ω).
- 09 = 4 - 20mA (2-wire +24V on pin 10).

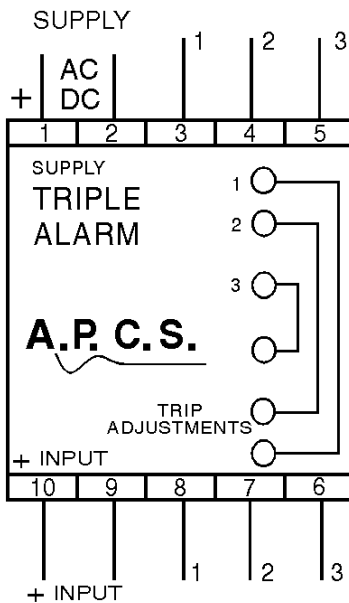
**Input Options** (input continued).

- \*) 21 = DC voltage up to 2kV.
- \*) 24 = DC current input 10A max.
- \*) 99 = Other.

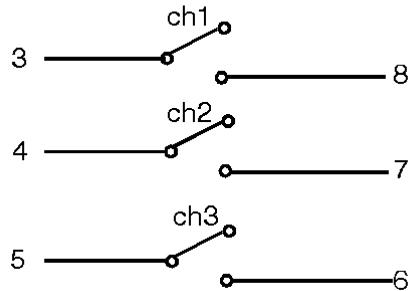
**Output:**

- 01 = 3 x normally open isolated contacts.
- 02 = 3 x normally closed isolated contacts.
- \*) 99 = Other.

**Connection Diagram**



**Internal Contact Wiring**



\*) Price Extra.

In the interest of development and improvement, A.P.C.S. Pty. Ltd. reserve the right to amend, without notice, details contained in this publication. A.P.C.S. PTY. LTD. will accept no legal liability for any errors, omissions or amendments.