

## Connection; High Output Drive External Bipolar Supply. BSC133

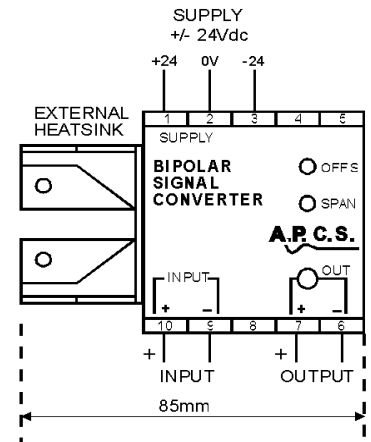
An external  $\pm 24V$  power supply is required to directly power the output stage of the amplifier.

### Additional Specifications

Minimum power supply requirement:  $\pm 24Vdc \pm 10\%$   
 Minimum supply current: required output +100mA

### Output Option 2: 50 - 500mA With Side Mounted Heatsink

All models of the BSC133 with an output drive between 50 and 500mA use a side mounted heatsink. The module must be mounted in an area with adequate ventilation. The pass transistor mounted on the heatsink is at an elevated voltage, and its case must not be allowed to contact any objects. The transistor is insulated from the heatsink, the heatsink may be grounded.

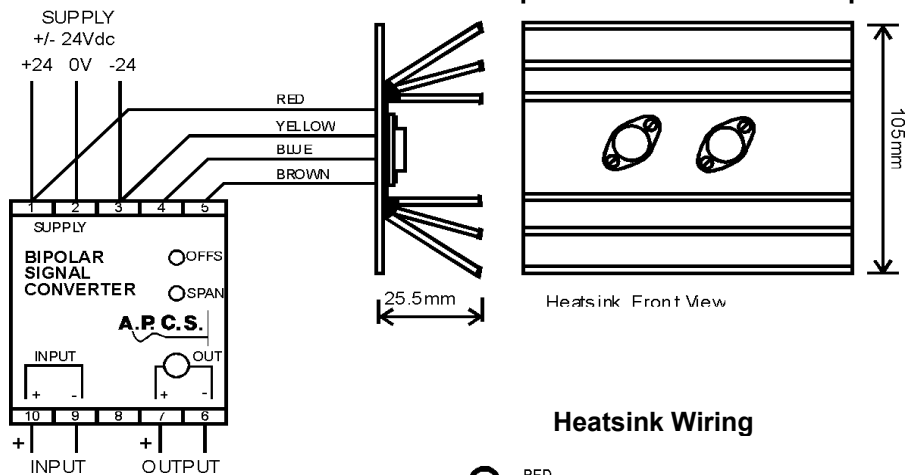


### Output Options 3 or 4 With External Heatsink

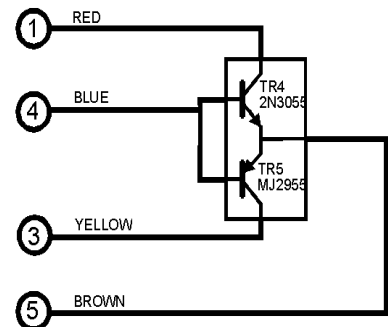
All models of the BSC133 with an output above 500mA use a separate heatsink.

This heatsink must be mounted in an area with adequate ventilation. The pass transistor mounted on the external heatsink is at an elevated voltage, and its case must not be allowed to contact any objects.

The transistor is insulated from the heatsink, the heatsink may be grounded.



Heatsink Wiring



For output option :-

- \* Option 3 500mA - 2A a 135mm length heatsink is used.
- \* Option 4 2A - 5A a 225mm length heatsink is used.