

## Input Option: 11 Adder Or Subtractor BSC133

### OPTION: 11 Adder or Subtractor

Input loads (4-20mA) :  $I_1 = 50ohm$   
 $I_2 = 50ohm + 0.7V$

All inputs reference to the common of BCS133; must be independently sourced. Use Signal Powered Isolator SPI232 if isolation is required.

#### Adder (Specify)

$$I_{OUT} = I_1 + I_2$$

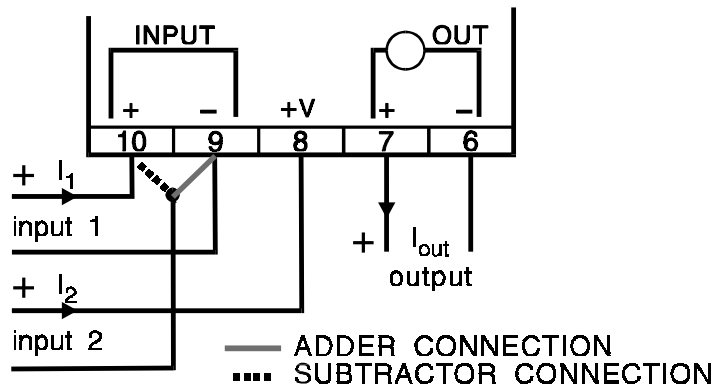
#### Averager

$$I_{OUT} = \frac{I_1 + I_2}{2}$$

#### Subtractor (Specify)

$$I_{OUT} = I_1 - I_2$$

### Connection Diagram



In the interest of development and improvement, A.P.C.S. Pty. Ltd. reserve the right to amend, without notice, details contained in this publication. No legal liability will be accepted by A.P.C.S. Pty. Ltd. for any errors, omissions or amendments.